

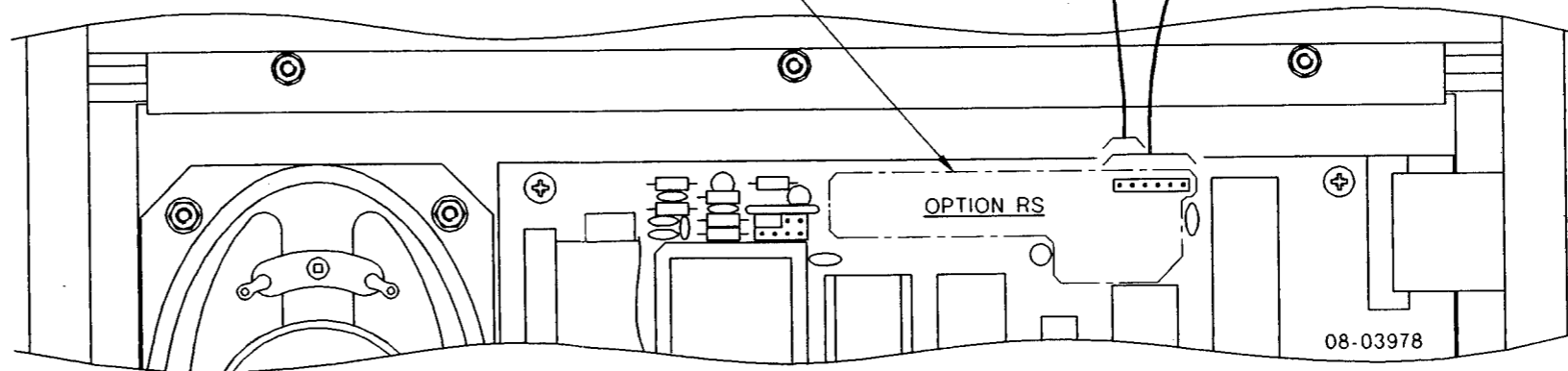
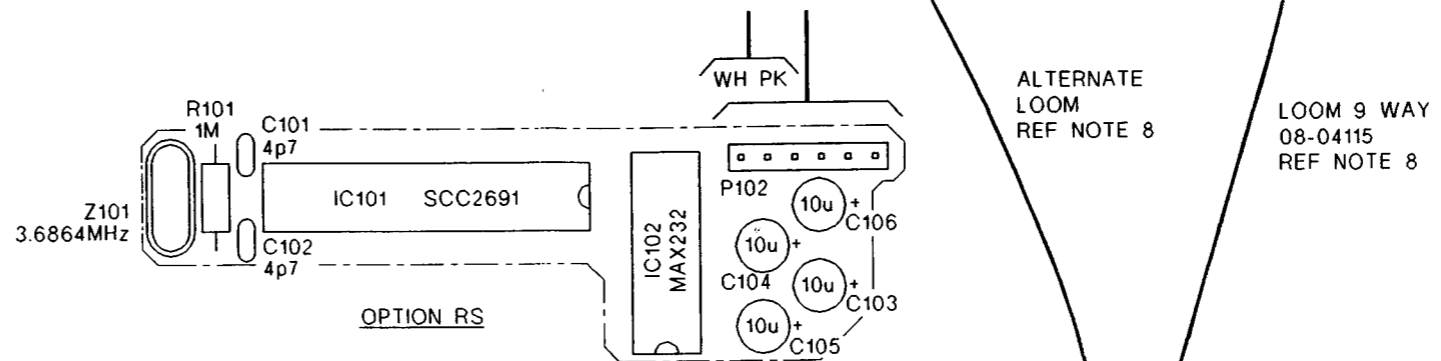
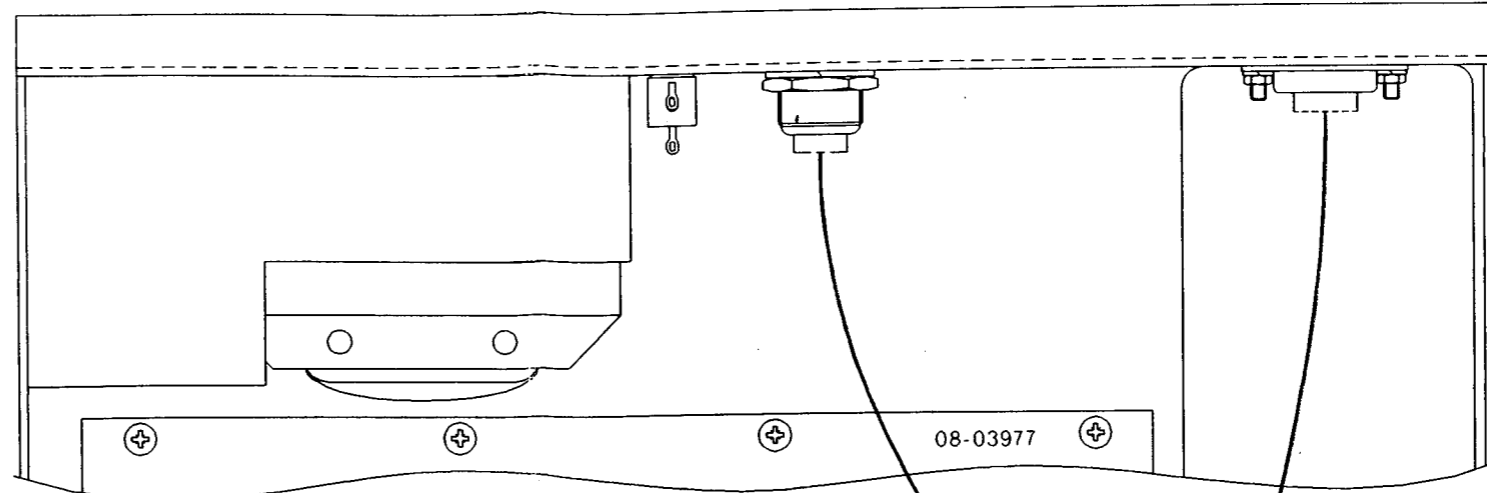
DO NOT SCALE

ISSUE 2
08-04861 ADDED.
C/R 23094
28-1-92 AMJ

ISSUE 3
NOTE 8 ADDED,
ALTERNATE LOOM
ADDED.
4x10u WERE 10n,
REDRAWN.
C/R 25299
31-3-98 MRU

NOTES

1. REMOVE 4 SCREWS SECURING CONSOLE TOP TO CHASSIS. DISCONNECT WIRING FROM CONNECTORS P1 & P7 ON AUDIO PROCESSING PCB, P3 ON MICROCONTROLLER & DISPLAY PCB & INTERCONNECTING EARTHING WIRE ENABLING TOP COVER TO BE SEPARATED FROM CHASSIS.
2. REMOVE 4 SCREWS SECURING MICROCONTROLLER & DISPLAY PCB ASSEMBLY TO CONSOLE TOP. REMOVE PCB.
3. INSERT & SOLDER COMPONENTS TO MICROCONTROLLER & DISPLAY PCB ASSEMBLY. REPLACE PCB ON CONSOLE TOP.
4. REMOVE BLANKING PLATE COVERING TERMINAL SOCKET ON REAR OF CONSOLE CHASSIS. FIT 15 WAY 'D' CONNECTOR ON LOOM CABLE 08-04115 TO REAR OF CONSOLE USING SCREW LOCK ASSEMBLIES PROVIDED. (SCREW LOCKS SHOULD BE FITTED TO OUTSIDE OF CONSOLE).
5. CONNECT END OF LOOM CABLE ASSEMBLY TO P102 HEADER ON MICRO-CONTROLLER & DISPLAY PCB ASSEMBLY.
6. REPLACE CABLES FROM MICROCONTROLLER & DISPLAY PCB. SECURE CONSOLE TOP TO CHASSIS WITH 4 SCREWS.
7. CONFIGURE RS232 PORT FROM FRONT PANEL KEYPADS IN ACCORDANCE WITH INSTRUCTIONS IN 'OPERATORS & INSTALLATION HANDBOOK'.
8. WHEN SUPPLIED FOR USE WITH 'DATA', FIT ALTERNATIVE LOOM FROM 'OPTION PM' CONNECTOR IN PLACE OF 08-04115 LOOM.



ITEM	PART No	DESCRIPTION
-	15-10378-001	FITTING INSTRUCTIONS
-	08-04115	LOOM 9 WAY
C101	46-04700-011	CAPACITOR 4.7p
C102	46-04700-011	CAPACITOR 4.7p
C103	47-11002-510	CAPACITOR 10u
C104	47-11002-510	CAPACITOR 10u
C105	47-11002-510	CAPACITOR 10u
C106	47-11002-510	CAPACITOR 10u
IC101	YK-02691-000	UART, CMOS
IC102	YI-00232-000	TRANSCEIVER, RS232 DUAL
P102	60-00061-100	HEADER (P) 6 WAY 1 ROW
R101	40-61000-020	RESISTOR 1M CR25
Z101	65-90007-000	CRYSTAL, 3686.4kHz
-	60-91509-001	SCREW LOCK ASSY, 'D' 8.0mm STUD

OPTION No 15-10378-001

FILE No.
15\010378__3.DWG

	DRN	APJ	SCALE	© CODAN PTY LTD, A.C.N. 007 590 605: 1998 TITLE OPTION RS, 8570 FITTING INSTRUCTIONS
	CHKD	AMJ	DATE	
	APPD	NJA	5-9-91	
MATERIAL	TOLERANCES		A3	DRAWING/DOC NO. 15-10378
	UNLESS OTHERWISE STATED			
	2 PLACES DEC.	±0.25		
FINISH	1 PLACE DEC.	±0.5	ISS	SHT. 1
	0 PLACE DEC.	±1		
	ANGULAR	±2°		
DIMENSIONS IN mm			3	OF 1